

X4



4.060 - 4.070 - 4.080



McCORMICK X4: YOUR DO-IT-ALL COMPANION

McCormick never ceases to amaze. Relying on its ability to develop simple, convenient and innovative technology solutions, McCormick has built the new **X4** series, a range of light-utility tractors designed with simplicity, efficiency and versatility in mind.

Available in both cab and ROPS versions, the **X4** is ideally suited to meet the needs of farmers that require a low-cost, all-round tractor. Perfect for wide-row vineyards and orchards, the **X4** is equally at home ploughing, tilling and harrowing small plots of land as well as sowing and haymaking. Its excellent all-round visibility ensures safe loader work and its compact size allows for optimum manoeuvrability inside barns and sheds, while its stability will ensure safe operation on sloping terrain and during road transport. All these features turn the **X4** tractor into a true champion of productivity.

The new **X4** sports a modern, cutting-edge design whose strongest point is the Total View Slim cab. Completely redesigned according to automotive industry standards, the new cab offers a variety of convenience features designed to maximize the operator's comfort. The key features of the new cab include a low-profile roof with a transparent hatch for extra

visibility during loader operations, a flat-deck platform, an efficient climate control system and ergonomically-arranged controls. The new **X4** offers a choice of two transmissions: a 24/24 Speed Four transmission with synchro shuttle and mechanical Hi-Lo and a 12/12 Power Four transmission with power shuttle. The range comprises three models delivering 61 hp, 68 hp and 75 hp.

The strong points of the **X4** series tractors from McCormick include:

- Specially-built transmission;
- Four-wheel drive front axle with limited slip differential;
- Wheelbase of 2110 mm;
- Mechanically-operated rear hitch with 3000 kg lift capacity;
- Optional front hitch and PTO;
- Open-centre hydraulic system with 52 + 30 l/min flow rate;
- Urea-free exhaust after-treatment for greater simplicity and lower operating costs.

When you choose a McCormick **X4**, you are choosing a trusted companion that will deliver reliability, efficiency and productivity. Because the name McCormick stands for smart technology.

HIGHLIGHTS

Cab

- › Total View Slim cab: maximum visibility and transparent roof hatch, ergonomic controls and automotive-grade fit and finish.
- › Driver's seat with optional air suspension.
- › Flat-deck platform for maximum operating comfort.
- › Low-profile cab roof for easy access to low-ceiling barns and sheds.
- › In-cab battery cut-off switch.

Transmission

- › 24/24 Speed Four transmission with mechanical Hi-Lo.
- › 12/12 Power Four transmission with power shuttle.

Axles

- › Rigid-mounted front axle with limited slip differential lock.

Hydraulic system

- › Open-centre hydraulic system: 52 l/min for hitch and remotes, 30 l/min for steering.

- › Rear hitch with up to 3000 kg lift capacity.
- › Rear PTO with 540/540E rpm plus ground speed.
- › Up to 3 rear- and 2 mid-mounted remote valves.
- › Front loader and optional front hitch and PTO.

Engine

- › Kohler KDI 2504 TCR 2.5L turbo intercooled engine delivering up to 75 hp.
- › Exhaust gas after-treatment with DOC/DPF system to meet Stage V/Tier 4 Final emissions regulations.

HYDRAULIC SYSTEM

PTOs - Rear & front hitches - Remotes
page 16

ENGINE

Powers - Consumptions
page 24

CAB

Comfort - Visibility
page 6



TRACTION

Front axle
page 14

TRANSMISSION

Speed Four / Power Four
page 10





TOTAL VIEW SLIM CAB, DESIGNED TO MAKE YOU FEEL AT HOME

Welcome to first class!

The Total View Slim cab makes you feel at home. Large, rear-hinged doors provide easy access to the driving position. The flat-deck platform makes the cab spacious and comfortable, reducing operator fatigue and stress during long working days in the field. A highly-efficient climate control system maintains an ideal cab temperature whatever the outdoor weather conditions. Every detail in the Total View Slim cab is designed to keep you comfortable while working.

Excellent all-round visibility.

With plenty of room, large glazed areas and a transparent roof hatch, the Total View Slim cab provides unrestricted all-round visibility. This makes front loader operations and manoeuvring in tight quarters, where full visibility at close range is critical, easier and safer.

Total View Slim cab: ergonomic design improves efficiency.

The interior of the Total View Slim cab with its automotive-grade fit and finish, excellent soundproofing, ergonomically-arranged controls and tilt-adjustable telescopic steering wheel has been designed to make daily work more relaxed and fatigue free. The ease of use of the **X4** tractor reduces operator stress, improving efficiency and productivity.

TOTAL VIEW SLIM CAB, YOUR CONTROL CENTRE

A spacious environment, a flat floor, efficient sound insulation, automotive-grade fit and finish, ergonomically-arranged controls, a steering wheel that tilts with the instrument panel: the Total View Slim cab is designed to offer the operator maximum comfort and ease of use, making long working days in the field less tiring and stressful.

The climate control system, conveniently integrated into the low-profile roof, maintains a comfortable working environment whatever the outdoor weather conditions. The air conditioner filters are located on either side of the cab roof and are easily accessed for cleaning. The cab's generous glazed area provides unobstructed 360-degree visibility for easy manoeuvring in tight spots, where close-range work is required. The Total View Slim cab meets FOPS (Falling Objects Protecting Structure) safety standards for the use of front-end loaders and features a transparent roof hatch for extra visibility during loader operation. Equipped with a suitable tyre size, the **X4** tractor reaches a minimum width of only 1820 mm, making it ideal for working between orchard rows.

ACCESS TO DRIVING POSITION

Wide, sturdy access steps and handrails fitted to the cab posts and to the doors allow operators to safely climb up and down the tractor. Fully glazed rear-hinged doors provide easy access to the driving position.

DRIVER SEAT AND HIDE-AWAY BUDDY SEAT

Large and comfortable, the driver seat offers the option of either a mechanical or air-suspension system that can be adjusted to suit the driver's weight. Passengers can also travel in comfort thanks to an upholstered buddy seat, which neatly folds away to allow easy access to the cab.



HIGHLIGHTS

- › Total View Slim cab: transparent roof hatch for maximum visibility, ergonomic controls and automotive-grade fit and finish.
- › Driver's seat with optional air suspension.
- › Flat-deck platform for maximum operating comfort.
- › Low-profile cab roof for easy access to low-ceiling barns and sheds.
- › In-cab battery cut-off switch.



CLIMATE CONTROL SYSTEM

A highly-efficient heating, ventilation and air conditioning system integrated into the cab roof maintains the desired cab temperature whatever the outdoor weather conditions. The climate control system relies on rear air vents to distribute the conditioned air evenly throughout the cab without exposing the operator to direct air flow. Natural ventilation is ensured by the opening front and rear windows and by the tilting roof hatch.



INSTRUMENT PANEL AND STEERING WHEEL

The **X4** features a telescopic, tilt-adjustable steering wheel. The instrument panel, which tilts with the steering column, features intuitive, user-friendly digital and analog instruments for easy control of tractor functions.

ROPS version

Designed to offer a high level of comfort, the ROPS version of the **X4** tractor is iso-mounted to minimize vibrations. The driving position is easily accessible and the flat floor creates a spacious feel that reduces operator fatigue. All controls are ergonomically arranged and easy to use. For added operator protection, the driving platform is equipped with a two-post ROPS that folds down allowing the tractor to negotiate low-hanging branches and narrow orchard and vineyard rows.



THE McCORMICK X4 KICKS YOUR PRODUCTIVITY INTO HIGH GEAR

Simple transmissions for efficient and reliable performance.

McCormick's design philosophy is clear: to ensure excellent performance in any work situation. That's why all transmissions used on the **X4** range, from mechanical gearboxes to latest-generation power shuttles, are designed and constructed to offer operators the highest level of comfort and productivity.

With the X4 you choose the transmission that's geared to your needs.

McCormick knows how important is to have a transmission that's suited to your requirements. The **X4** series allows farmers to choose from a variety of transmission solutions to meet their specific needs. This improves operator performance and increases productivity.

McCormick transmissions help you stay on the safe side.

The **X4** tractor allows the operator to adjust the speed of reversal in a fast, simple manner, without assistance from a technician. You can also engage the hydraulic gear splitter (Hi-Lo) on the go for maximum safety on all terrains and in any weather conditions.



RUGGED TRANSMISSIONS FOR VERSATILE AND EFFICIENT PERFORMANCE

The name McCormick stands for uncompromising technology. Staying true to its design philosophy, McCormick has developed a range of rugged and efficient transmissions to meet every customer's needs.

For the **X4** tractor range, McCormick offers two transmission configurations:

- A Speed Four transmission with mechanical Hi-Lo that provides 24 forward and 24 reverse speeds. This transmission offers precise smooth gear changes for maximum operating comfort.
- A Power Four transmission with power shuttle providing 12 forward and 12 reverse speeds. This configuration is ideal for those tasks requiring frequent forward/reverse shifting and helps increase operator comfort during long working days in the field.

HIGHLIGHTS

- › 24/24 Speed Four transmission with mechanical Hi-Lo.
- › 12/12 Power Four transmission with power shuttle.

Speed Four transmission

The Speed Four transmission with mechanical Hi-Lo offers four synchronized speeds and three mechanical ranges providing 24 forward and 24 reverse gears. Optimal spacing of gear ratios ensures the operator always has the right speed for every application.

Power Four electrohydraulic transmission

Designed with reliability in mind, the Power Four electrohydraulic transmission provides 12 forward and 12 reverse speeds. The steering column power shuttle allows quick and convenient forward-reverse shifting.

SYNCHRO SHUTTLE

The synchro shuttle is conveniently controlled by a lever adjacent to the steering wheel.



McCORMICK X4: BUILT-IN LIGHTNESS



Soil compaction? A thing of the past.

With the **X4** soil compaction is no longer an issue. Thanks to an optimal weight distribution of 45 per cent at the front and 55 per cent at the rear, which makes it the best balanced tractor in its class, the **X4** eliminates soil compaction once and for all.

McCormick X4, simply precise.

The **X4** is precise and easy to drive, which means the operator can better concentrate on the job in hand and will feel less fatigued at the end of a long working day. The result is more productivity and less stress.

Spring-on system for best four-wheel drive performance.

A quick-connect spring-on device ensures efficient four-wheel drive performance in any situation. The spring-on system prevents slippage and allows operator to stay focused on the task at hand.

HIGHLIGHTS

- › Rigid-mounted front axle with limited-slip differential lock.

THE X4 KNOWS HOW TO DRIVE PRODUCTIVITY

The **X4** series offers outstanding traction and manoeuvrability ensuring great stability on all terrains and excellent grip capability when travelling on the road. The rugged front axle is equipped with limited slip differential lock and electrohydraulic four-wheel drive engagement. This ensures maximum efficiency and safety when working with a front hitch or a front loader. The rear axle is sturdy and reliable. Combining wide front axle oscillation and high ground clearance with a 55-degree steering angle, the **X4** tractor provides optimum manoeuvrability in any situation. In addition, the hydrostatic drive delivers smooth steering control even at low engine rpm.





HYDRAULIC SYSTEM TAILORED TO YOUR NEEDS

A mechanical rear hitch that makes every task easier.

At McCormick, we believe technology research must lead to the development of really useful solutions. For this reason, the rear hitch of the **X4** is equipped with drop rate control and transport lock for safe road travel. The tractor can be optionally fitted with external hitch controls on the rear fenders making it easier to attach implements from the ground. Also available as an option is the Ergonomic Lift System (ELS) which allows the operator to raise and lower the implement by the simple click of a button. The ELS system makes for quicker headland turns, thereby reducing working time and fuel consumption.

The remote valves can be configured to your requirements.

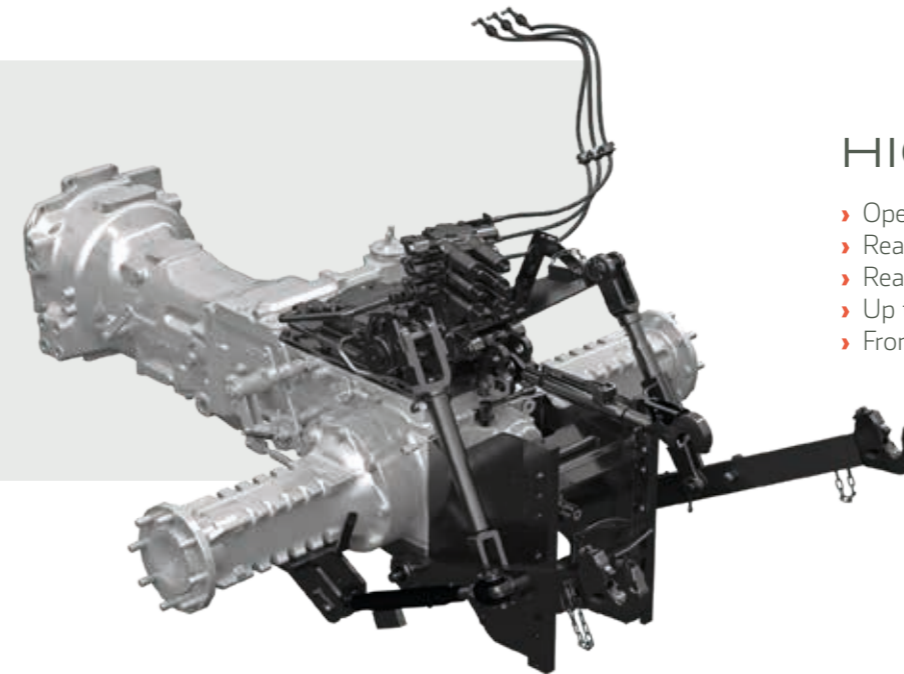
The **X4** can be equipped with a varying number of rear- and mid-mounted remotes, all conveniently operated by a joystick controller, and with flow diverter valves to further enhance the tractor efficiency.

Looking for a precise, easy-to-use rear hitch? McCormick has the right solution for you.

To ensure precise and safe implement operation, the mechanical rear hitch of the **X4** features a drop rate control and a transport lock for road travel. Rugged and reliable, the rear hitch provides a maximum lift capacity of 3000 kg.

A HYDRAULIC SYSTEM THAT BOOSTS YOUR **PRODUCTIVITY**

The hydraulic system of the **X4** can be fully customized to suit each farmer's needs. Thanks to its extreme versatility, this tractor can be simultaneously fitted with a mechanically-operated rear hitch and with either a front hitch and PTO or a front loader, resulting in enhanced productivity.



HIGHLIGHTS

- › Open-centre hydraulic system with 52 + 30 l/min flow rate.
- › Rear hitch with up to 3000 kg lift capacity.
- › Rear 2-speed PTO plus ground speed PTO.
- › Up to 3 rear- and 2 mid-mounted remote valves.
- › Front hitch and PTO.

Mechanical hitch designed for high efficiency

The **X4** tractor range comes standard with a rugged and reliable mechanical rear hitch with Category 2 three-point linkage that guarantees precise implement operation. The hitch is equipped with drop rate control and transport lock for safe road travelling. The tractor can be optionally equipped with quick-release couplings and external hitch controls on the rear fenders, making it easier to attach implements from the ground. Also available as an option is the Ergonomic Lift System (ELS) which allows the operator to raise and lower the hitch by the simple click of a button. This makes for faster headland turns, resulting in reduced working time and increased productivity.

TWO-SPEED PTO

The **X4** offers two PTO speeds of 540/540E rpm plus a ground speed. A mechanical control with power-assisted push button enables smooth and modulated engagement of the PTO, ensuring a soft start-up of the implement in any situation.



HIGH-PERFORMANCE HYDRAULIC SYSTEM



The hydraulic system of the **X4** range features two pumps. One pump provides a flow rate of 30 l/min to the steering system ensuring smooth and precise turning in the field and on the road for enhanced operator comfort and productivity. The other pump supplies 52 l/min to the hitch and remote valves.

To further enhance the tractor hydraulic performance, the **X4** range comes standard with a pressure-free return line to the oil tank. This solution prevents oil overheating doing away with the need for continuous flow rate adjustment, and eliminates backpressure, thereby optimising implement operation.

The **X4** can be equipped with up to five remote valves, three rear-mounted and two mid-mounted. The mid-mount remotes, operated by a joystick, allow the use of either a front hitch or a front loader. The **X4** tractor offers four types of remote valves that can be used in combination to suit different application needs:

- **Standard:** double-acting.
- **Kick-out:** with automatic detent release.
- **Float:** for implements that follow the ground contour.
- **Hydraulic motor:** for the use of implements equipped with one or more hydraulic motors.

Each option allows the tractor to work with a variety of implements for maximum efficiency and productivity. Ergonomically-arranged high-quality quick-release couplings allow quick connection/disconnection of hydraulic lines for fast operation.



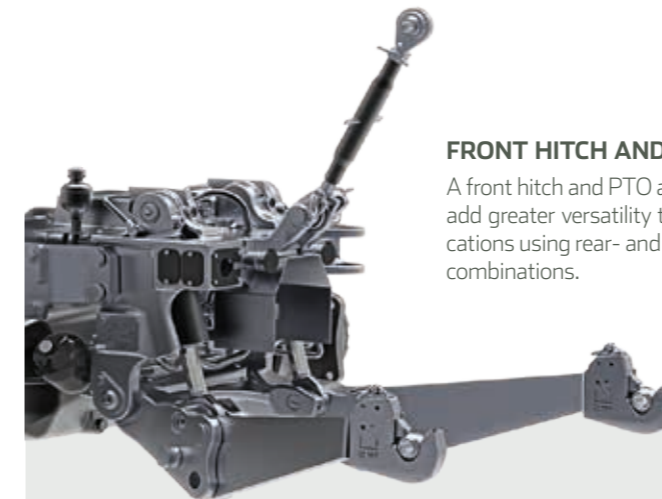


McCORMICK FRONT LOADERS AND X4 TRACTORS: BORN TO STAY TOGETHER

Developed to be integrated into the **X4** tractor range, McCormick original front loaders are factory installed. Specially designed to enhance the performance and flexibility of the **X4** tractor range, the McCormick front-end loaders will ensure:

- > **Versatility:** They allow the use of a wide range of implements for a variety of applications. A new mounting frame makes mounting and removing the loader quick and easy.
- > **Productivity:** Designed with optimal dimensions and weights, perfectly balanced and equipped with excellent connection points, McCormick front loaders enhance the efficiency of the **X4** tractors.
- > **Design:** McCormick front loaders perfectly match the design of the **X4** tractors, without compromising on turning radius.

Thanks to a conveniently placed joystick and a high-visibility transparent roof hatch, the operator can remain comfortably seated in the driving position while working with the loader fully raised. Designed to be the perfect match for the **X4** tractors, the McCormick front loaders deliver maximum productivity in any application.



FRONT HITCH AND PTO

A front hitch and PTO are available as an option to add greater versatility to the **X4** tractor for applications using rear- and front-mounted implement combinations.



MORE SAVING, MORE TIME, MORE SAFETY: THE X4 GIVES YOU MORE.

With the X4 you save more fuel.

Doing away with the gas exhaust regeneration system and using the Engine Memo switch, which stores and recalls the engine speed best suited for the task at hand, the **X4** keeps fuel consumption to a minimum.

With the X4 you have more free time.

Under the hood of the **X4**, all main components are easily accessible and easy to check without removing any parts. Maintenance has never been so simple! And that's not all: service intervals are now longer and routine checks require only a few minutes, so you have more free time for yourself.

The X4 provides more safety for you and for the environment.

The EGR/DOC after-treatment system of the **X4** allows you to save fuel and reduce exhaust emissions.



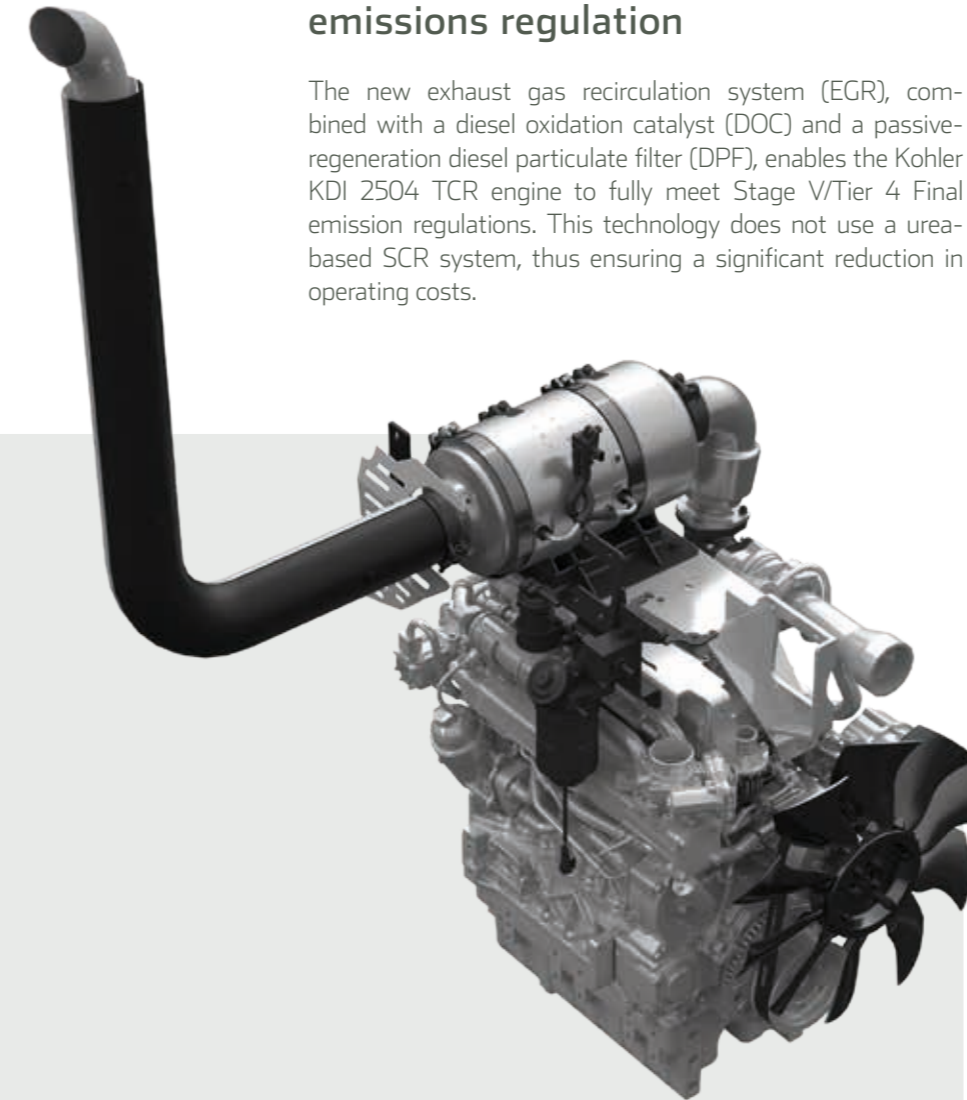
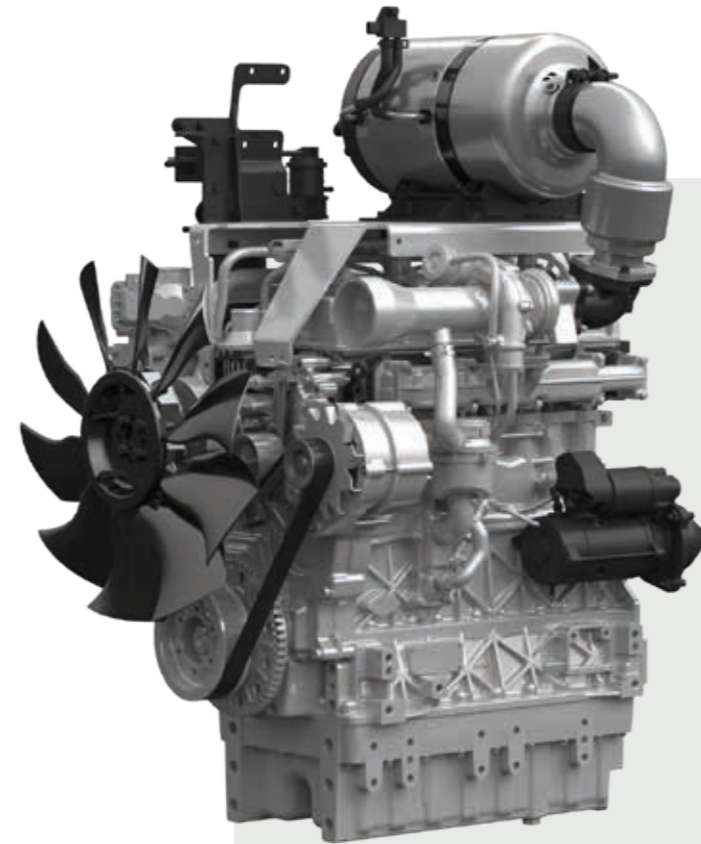
HIGHLIGHTS

- › Kohler KDI 2504 TCR turbo intercooled engine delivering up to 75 hp.
- › Exhaust gas after-treatment with DOC system to meet Stage V/Tier 4 Final emissions regulations.

NEW KOHLER KDI ENGINE FOR HIGH PERFORMANCE AND FUEL ECONOMY

The McCormick **X4** is powered by a Kohler KDI 2504 TCR four-cylinder, turbo intercooled engine with multivalve technology and electronic common rail injection system. The Kohler engine offers superior performance in terms of power, torque backup and fuel economy. In addition, the exhaust after-treatment system of the **X4** is urea-free, which simplifies electronics and improves fuel economy and reliability.

The **X4** is equipped with an 85-litre fuel tank which ensures many hours of operation without refuelling. Fuel efficiency is further enhanced with the Engine Memo switch, a device that allows the operator to store and recall the engine speed most suited to the implement used. This automation simplifies work and minimises the risk of error, thereby reducing operator's stress.



EGR/DOC system to meet Stage V emissions regulation

The new exhaust gas recirculation system (EGR), combined with a diesel oxidation catalyst (DOC) and a passive-regeneration diesel particulate filter (DPF), enables the Kohler KDI 2504 TCR engine to fully meet Stage V/Tier 4 Final emission regulations. This technology does not use a urea-based SCR system, thus ensuring a significant reduction in operating costs.





QUICK MAINTENANCE TO BE BACK UP AND RUNNING IN NO TIME

Designed to deliver maximum efficiency and reliability, the **X4** tractor range offers a variety of solutions to simplify and expedite maintenance procedures:

1. The tilt-up hood opens wide to provide easy access to the engine compartment, making maintenance and cleaning operations quicker.
2. The oil filler cap is placed in the lower part of the engine, so topping up of engine oil can be done without opening the hood.
3. The engine air cleaner is positioned in such a way as to speed up cleaning and replacement.
4. The cooling radiators with widely spaced fins and the laterally-removable dust cover allow for accurate, simple and fast cleaning.
5. The fuel tank is easily accessible for quick and convenient filling.
6. The air filters, integrated into the rear posts, are easily accessible for maintenance.
7. The oil level in the transmission can be conveniently checked through the oil filler cap with dipstick located on the transmission case.





McCORMICK **DIGITAL SOLUTIONS** BRING THE FUTURE TO THE FIELD

Technological innovation improves working conditions, increases productivity and protects the environment. Following this philosophy, the Argo Tractors Group has prepared its tractors for the most cutting-edge digital and telematic technologies. This will help farmers manage their machinery fleets and their farms more efficiently and remotely, wherever they are. **McCormick Digital Solutions** offers a range of advanced functionalities:

Telemetry and Remote Diagnostics: Thanks to the Fleet & Remote Diagnostics Management system, telemetry monitors your fleet analysing tractor performance data, while remote diagnostics enables tractor parameters to be monitored and managed from a remote location

Precision Farming: The Precision Steering Management satellite guidance system improves working accuracy and efficiency; the ISObus system ensures efficient control of implements, including in automatic mode.

Farm Management: McCormick Farm manages prescription maps and simplifies farm management.

Digital Services: The My McCormick app provides easy access to the McCormick world.

Cloud Data: The Agrirouter cloud platform allows integrated communication among all services.

McCormick Digital Solutions give you more performance, more efficiency and more profitability while improving simplicity, safety and comfort.



FLEET & REMOTE DIAGNOSTICS MANAGEMENT: PROFIT ASSURED



McCormick, a brand globally recognised as synonymous with high performance and cutting-edge technology, equips all its tractors with remote management and diagnostic capabilities. The **McCormick Fleet & Remote Diagnostics Management system** helps farmers make informed data-driven decisions that will reduce their operating costs while increasing the efficiency and productivity of their farms. The system, which can be easily accessed from a computer or a mobile device, allows farmers to remotely monitor the activity of each tractor and analyse the data of their entire fleet of vehicles. This advanced solution is based upon four key elements:

1. Real-time fleet monitoring
2. Data analysis
3. Scheduled maintenance and remote diagnostics
4. Activity history

McCormick is fully committed to addressing the needs of modern agriculture with concrete and effective solutions. The **McCormick Fleet Remote Diagnostics Management system** helps farmers manage their farms more efficiently by favouring the most appropriate choices in order to maintain their tractors in good working order, optimise their work and increase their business profitability.

1. Real-time fleet monitoring: The system displays at all times the exact location of each tractor in a fleet and, using the Geofencing technology, notifies whenever a vehicle enters or exits a specified zone. It also measures the efficiency of each tractor by checking parameters like speed, engine hours and RPMs, fuel and AdBlue levels, average consumptions and work progress.

2. Data analysis: The data coming from the tractors allow the system to measure the productivity of each vehicle in the fleet and the farm's operating profit. These data are essential to monitor and reduce costs, make predictions, organise work plans and take informed decisions.

3. Scheduled maintenance and remote diagnostics: The tractor fleet is managed in a simple and fast manner. In case of failure, our aftersales service intervenes remotely in real time in order to adopt the most appropriate solutions and to improve the tractor's performance, thereby reducing downtime and extending the equipment's life.

4. Activity history: This function delimits the work areas and stores the data of the activities performed. This allows the user to better organise the work, increase efficiency and productivity and maximise profitability.



McCORMICK FARM TECHNOLOGY FOR A MORE PRODUCTIVE FARM

McCormick improves the efficiency of your farming operations. But not only this: **McCormick Farm** connects your tractor to an intelligent and intuitive farm management system. This brings farmers a number of benefits in terms of time saving, work simplification and enhanced performance.

360-degree management solutions for your farm

McCormick Farm supports more than 400 different crops and allows virtually all tasks on the farm to be accomplished, including crop management, tracking and planning of field activities, advice on crop protection and irrigation practices, creation and exchange of prescription maps with monitoring of costs and sustainability, export of documents.

Connected to your McCormick

By connecting your McCormick to the **McCormick Farm** app, you can view performance levels and reports on the farming activities carried out in the fields. In addition, you can display prescription maps, A/B lines, boundaries and obstacles.

Always at your fingertips

Whether in the field or on the farm, McCormick is always at your side, thanks to the **McCormick Farm** app for smartphone and tablet. And if you want to run your business from your computer, you may access the web version synchronised with the mobile devices.

Simple and intuitive

McCormick Farm is designed to be clear and user-friendly. A support chat answers questions about the use of the app.

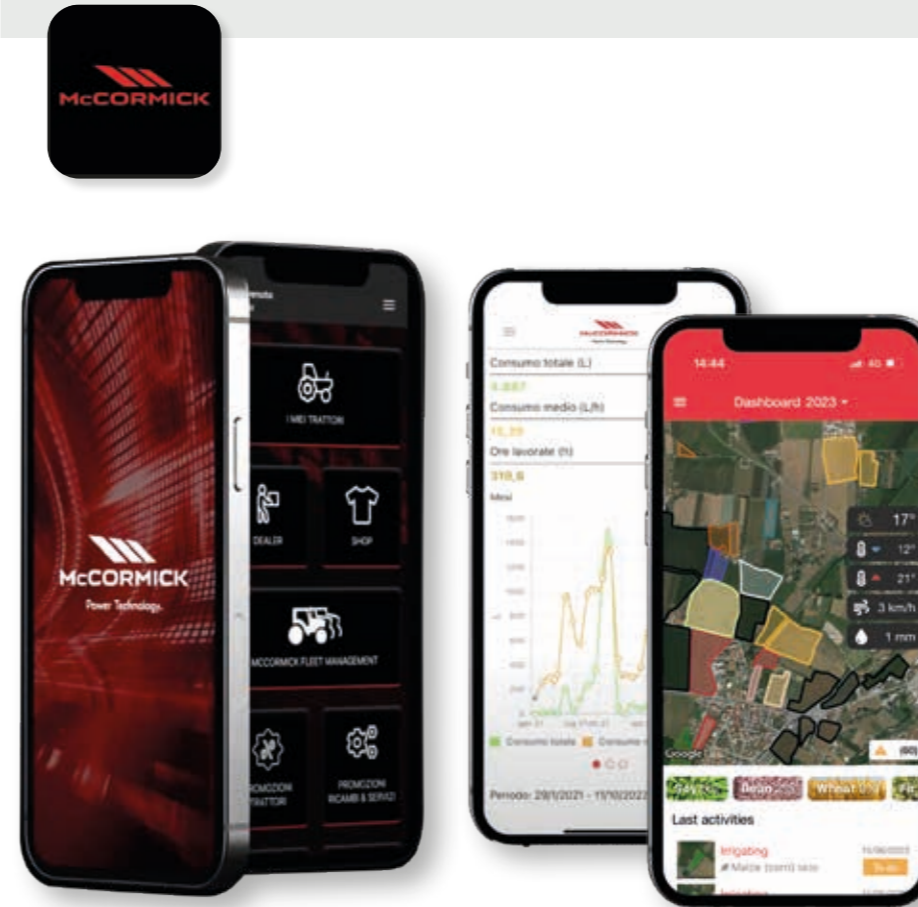


ARGO TRACTORS FLEET ROUTER MANAGEMENT SIMPLIFIES YOUR WORK



The new digital technologies have rapidly multiplied the sources and destinations of data. Today, it is paramount for both small farmers and large agricultural businesses to enable different systems to communicate with each other. For this reason, on March 30, 2023, Argo Tractors has become an **Agrirouter** certified partner with the account *Argo Tractors Fleet Router Management*. **Agrirouter** is a universal data exchange cloud platform that allows the interchange of information between machinery, equipment and software of different manufacturers. **Agrirouter** links different sources and platforms, simplifying the operating processes and ensuring data confidentiality. The operator keeps everything under control with a single system. By connecting the tractor to the implements, including those from different manufacturers, and to the McCormick Farm platform, a simple and efficient integrated management of both machinery and farm is achieved.

MY McCORMICK APP, THE McCORMICK WORLD IN YOUR HAND



The intuitive **My McCormick** app offers the user a 360-degree immersive experience through our Digital Solutions. The **My McCormick** app gives you easy access to all McCormick digital services, allowing you to stay connected with the company through news, insights, offers and customised information. With **My McCormick** you can:

- > Register your McCormick tractor fleet and access the scheduled maintenance program.
- > Access the McCormick Fleet & Remote Diagnostics Management system.
- > Access the McCormick Farm platform.
- > Stay updated with the very latest news and events from the McCormick world.
- > Stay informed on promotions and offers of tractors, original spare parts and services.
- > Stay updated with new products, promotions and events from the nearest dealer.

McCormick is always at your side. With the **My McCormick** app you have the whole McCormick world at your fingertips, so you stay informed and optimise your work making it more efficient and productive.



McCORMICK ORIGINAL SPARE PARTS, THE CORNERSTONE OF YOUR PRODUCTIVITY

Although it works hard, your McCormick tractor always looks good as new. With McCormick original parts time seems to have stopped. Our original spare parts are an integral part of our scheduled maintenance and extended warranty program. Developed by the same engineers who design and manufacture the McCormick tractors, genuine McCormick parts are designed and manufactured to the highest quality standards to ensure reliable and safe performance over time. The strong points of McCormick original spare parts are the following:

- › Spare parts are always shipped within 24 hours of order receipt.
- › Each part comes with a 12-month warranty and is marked with a tamper-proof hologram that certifies the product's quality and originality.
- › Original McCormick parts are reliable and convenient: they improve your tractor performance, maintain high productivity levels and preserve your tractor's value. All McCormick spare parts rely on our extensive design and manufacturing expertise. Because when you choose McCormick, you are choosing quality without compromise.



POWER TECHNOLOGY, SINCE 1847

Cyrus Hall McCormick was born in Virginia, United States, in 1809. A keen inventor, he stunned the agricultural world with inventions that mechanized the farm work. In 1831 he invented the first mechanical reaper. In 1847 McCormick established a factory for the production of grain harvesters. In 1866 the company adopted the red colour that still identifies the brand worldwide. In 1871 McCormick manufactured more machines than any other company in the world: 250 reapers per day. The first tractor, the Mogul 8-16, was launched in 1906. In those years, the company opened up factories in Canada, Great Britain, Germany, France and Sweden.

In the following years, the company was purchased and sold several times. In 2000 McCormick was acquired by the Argo Group, which relaunched the brand under the name McCormick Tractors International Limited. Today, McCormick is a world leader in the tractor industry and its name stands for uncompromising technology and innovative design. Thanks to heavy investments in research and development, the new generation of McCormick tractors leads the market for performance and innovation. Farmers look for efficient, reliable and versatile solutions to maximize their productivity – and this is exactly what we are proud to offer our customers.

	X4.060	X4.070	X4.080
ENGINE PERFORMANCE			
Rated power (97/68/EC - ISO TR 14396)	hp / kW	61 / 45	68 / 50
Max power (97/68/EC - ISO TR 14396)	hp / kW	61 / 45	68 / 50
Rated engine speed	rpm		2200
Engine speed at max power	rpm		1400
Max torque Engine speed at 1400 rpm	Nm	285	310
Torque backup		46%	30%
Manufacturer		KOHLER	
Engine type		KD12504TCR	
Stage V / Tier 4 Final exhaust after-treatment system		DOC-DPF (DOC)	
Cylinders / Displacement / Valves		4 / 2.5 l / 16	
Air filter system		dry air filter	
Air intake system		turbo aftercooled	
Fuel injection system		electronically-controlled high-pressure common rail system	
Maintenance		500 hours maintenance interval	
Cooling system		matrix radiator package	
Belt driven fan		● belt-driven fan	
Engine Memo Switch		●	
CAPACITIES			
Fuel tank	l	85	
CLUTCH			
Type		● mechanical	
TRANSMISSION			
Type		● mechanical - ○ hydraulic	
No. of gears - std		● 24 FWD + 24 REV with synchro shuttle	
No. of gears - option 1		○ 12 FWD + 12 REV with RPS	
Minimum speed	km/h	0.43 with 24+24 Hi-Lo - 0.50 with RPS without creeper (IR 650mm)	
Engine speed at 40 km/h	rpm	2200	
Transmission control		hand lever	
Forward/Reverse shuttle		● synchro shuttle - ○ Reverse Power Shuttle	
REAR PTO			
Type		● mechanical	
Speeds	rpm	● 540/540E	
Ground speed PTO		●	
Engine speeds at rated PTO	rpm	1937 / 1648	
Rotation - spline shaft type		clockwise (viewed from tractor rear) - ● 1-3/8" PTO shaft with 6 splines	
FRONT AND REAR AXLES			
Front rigid axle		●	
Traction type		4WD	
Front differential lock		● limited slip - ○ w/o differential lock	
Rear differential lock		● mechanical	
Rear axle - flanged type		●	
BRAKING SYSTEM			
Front braking system		● automatic 4WD engagement when braking	
Rear braking system		ramp brakes	
Trailer braking system		○ 2-line hydraulic brake as per MR - ○ single-line hydraulic brake or CUNA ○ o 2-line pneumatic brake*	

	X4.060	X4.070	X4.080
HYDRAULIC SYSTEM			
Hydraulic pump for rear hitch & spool valves + steering - flow rate		● 52 + 30 l/min	
Rear spool valves - type, number		mechanical, 2 - 3	
Free-flow return		●	
Mid-mounted spool valves - flow rate		mechanical, 2	
REAR 3-POINT HITCH			
Rear hitch control		● mechanical - ○ mechanical with ELS	
Category - coupler type		II - ○ fixed ball ends - ○ quick hitch hooks - ○ telescopic lower links	
Max lifting capacity at hitch points	kg	● 3000	
FRONT 3-POINT HITCH			
Front hitch		●	
Category - hitch type		II - ● quick hitch hooks	
Max lifting capacity at hitch points	kg	1650	
FRONT PTO			
Type - Speed		●	
CAB			
Total View Slim mounted on silent blocks		●	
In-cab noise level	dB(A)	82	
Filtration category		2	
Heating / Climate control system		● heat and ventilation - ○ manual climate control	
Opening rear windshield		●	
Comfort pneumatic seat		○	
Platform Version		○	
Trainer seat		○	
Radio ready		● - ○ DAB+ radio with 2 speakers, handsfree bluetooth, mp3 player	
Halogen work lights		● 2 rear - 2 front	
Beacon lights		● left side - ○ left and right side - ○ without	
ON-BOARD TECHNOLOGY			
McCormick Fleet Management - ready		●	
Fleet & Remote Diagnostics Management and McCormick Farm on selected markets		● Start Pack 1 year - ○ Pro Pack 1 year - ○ Pro Pack 3 years - ○ Pro Pack 5 years	
WEIGHTS AND DIMENSIONS			
Wheelbase	mm	2110	
Max height over cab without beacon lights	mm	2433 - measured with tyres 320/70R20 - 420/70R28	
Max height from top of cab to rear axle centre	mm	1783	
Max length with front weights - (min - max) - Track width	mm	4073- (1824-2335) measured with tyres 320/70R20 - 420/70R28	
Steering radius	mm	4425 - measured with tyres 320/70R24 - 480/70R30	
Shipping weight - measured with average specs	kg	3200 cab - 3050 plat	
Gross vehicle weight	kg	5100	
Max front and rear tyres sizes - (Index Radius -IR)	mm	320/70R24 (IR 525mm) - 480/70R30 (IR 700mm)	
Front weight support / Front Tow Pin	kg	● without front weight support with tow hitch	
Front weights - no. x weight	kg	○ 6x24 - ○ 8x28	
Rear axle weights	kg	○ 2x60 - ○ 4x60	

Key: ● standard ○ option * aftermarket



Power Technology.

via G. Matteotti, 7 | 42042 Fabbro [RE] Italia | t. +39.0522.656.111 | f. +39.0522.656.476
webmaster@argotracors.com | www.argotracors.com



graphic design: **gruppo saldatori** | bzzbzz@grupposaldatori.com
All data and illustrations provided in this brochure are for information purposes only and can be changed without notice



6697659A2

X4+E



X4.080 - X4.090 - X4.100 - X4.110 - X4.120 F / N / GE / GB / XL / V



McCORMICK X4F, FRUITFUL PRODUCTIVITY

Integration of resources and specialisation have always been the strengths that drive Argo Tractors' industrial strategy. Thanks to this winning choice, the Group's designers have developed the new McCormick X4F, a model that sets a benchmark in the specialty tractor segment.

McCormick X4F guarantees top-level performance in terms of TECHNOLOGY, COMFORT, VERSATILITY, EFFICIENCY and PRODUCTIVITY. A true concentrate of innovative solutions, offering targeted answers to the needs of farms.

The innovative design of the X4F is immediately recognisable: the sleek, dynamic lines of the bonnet allow the tractor to move easily between the rows. The full-LED lights are perfectly integrated into the front grille; the cab, with its panoramic visibility, flat floor and telescopic mirrors gives this tractor a modern automotive look and feel. The X4F is also available in a Red Spirit Limited Edition, with metallic red paint and matt black rims, expressing McCormick's true strength. Every detail of the X4F

has been designed with innovation and performance in mind to ensure class-leading productivity.

The X4F comes in two versions:

- ▶ **Cab**, with F, N, XL and V models;
- ▶ **Plat**, with F, GE, GB and XL models.

The X4F series offers a choice of transmissions and a variety of wheelbases, heights and track widths and comes in six models to suit specific applications:

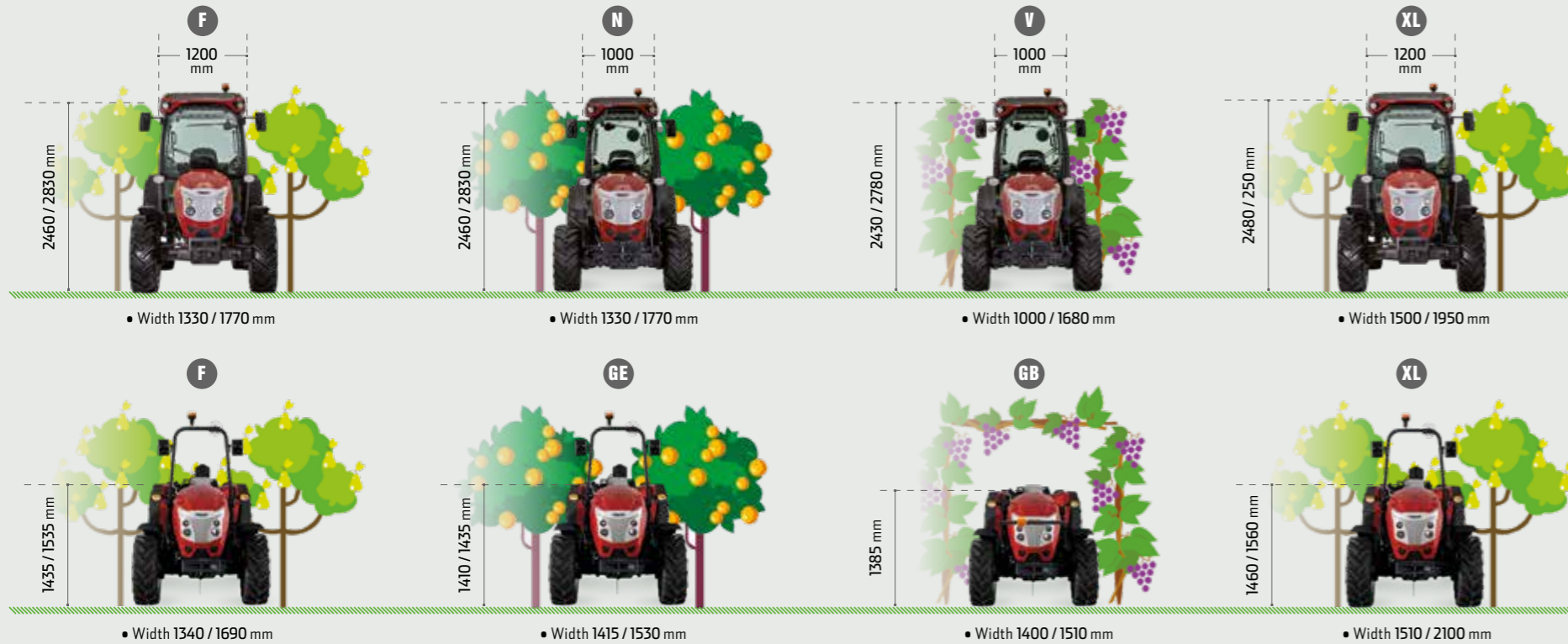
- ▶ **F Model**, for small and medium sized orchards.
- ▶ **N Model**, for narrow orchards trained in goblet style: it features the track width of the F model and the narrow cab of the V model.
- ▶ **GE Model**, for low orchards: perfect for working under low-hanging crops.
- ▶ **GB Model**, ultra-low profile: for operation under overhead trellis systems and inside greenhouses.
- ▶ **XL Model**, for wide orchards: , ideal for wide row orchards and open field work.
- ▶ **V Model**, for vineyards: specifically designed for working between narrow vineyard rows.

HIGHLIGHTS

- › Cab version with flat-deck platform. Plat version with lowered floor.
- › McCormick Red Spirit Limited Edition: metallic red colour and matt black rims, for a unique and aggressive style.
- › New full-LED lights.
- › Premium and Premium + trim levels, for ultimate performance and comfort.
- › SmartPilot Plus all-in-one joystick, extra comfort swivel seat, automotive-grade fit and finish.
- › Speed Four transmission: 4 speeds and 3 ranges

- with synchro or power shuttle, 4 speed ranges with creeper. Available options: Hi-Lo Power Four, HML Xtrashift, HML P3-Drive with robotised shifting of powershift gears and speeds.
- › The F, N and XL models can be equipped with the new suspended front axle.
- › Highly-configurable open-centre hydraulic system: double pump with 58 + 30 l/min or triple pump with 30 + 58 + 36 l/min. The system supplies 54 l/min already at 1500 rpm.
- › Electronic rear hitch with 2700 kg lift capacity for the F and N models and up to 3400 kg lift capacity for

- the XL. The Ergonomic Lift System (ELS) makes for easier and faster operation.
- › Wide selection of tyres. Reinforced Waffle rims are available to support higher loads during work and provide more stability during transport.
- › New Deutz-AG TCD 2.9L, 4-cylinder engine delivering 75 to 112 hp, meeting Stage V/Tier 4 Final emissions regulations.
- › Maintenance intervals of up to 1000 hours.
- › Agriculture 4.0: ISOBUS, telemetry, ADS ready for assisted driving and DSM monitor.



DIGITAL SOLUTIONS

More Control, More Productivity.
page 27

HYDRAULIC SYSTEM

Innovative, Efficient, Versatile.
page 22

ENGINE

Stage V / Tier4 Final.
page 34

EMISSIONS

Eco-sustainability.
page 35

SUSPENDED AXLE

Agile, Safe, Comfortable.
page 20

CAB

Visibility, Comfort,
Category 4 Protection.
page 6

ISOBUS

More Operating Efficiency.
page 31

ELECTRONIC HITCH

Precise and Powerful.
page 25

TRANSMISSION

Highly Configurable.
page 16



VISIBILITY, COMFORT, HEALTH: THE PREMIERE CAB IS PERFECT FOR ROW CROPS

From the cab you have an unobstructed view of the implements.

Keyword: maximum visibility! With its four-post design, the new Premiere Cab of the X4F allows a 360-degree panoramic visibility. The opening front and rear windows also allow the driver to lean out to check the implements and monitor the work area to avoid obstacles. Integrated in the roof, four full-LED lights provide excellent visibility during night work.

In the cab, comfort is assured, both during work and transport.

Keyword: complete comfort! The Premiere Cab is suspended to isolate the driver from vibrations during field work and transport. Reducing shocks means protecting the driver's back and mitigate fatigue. In addition, the flat, uncluttered platform allows for easy access to the driver's seat and provides enhanced operating comfort.

Inside the cab, your health is protected, even during pesticide spraying.

Keyword: health protection! The new Premiere Cab is pressurised and equipped with a Category 4 activated carbon filter. This system prevents the penetration of chemical agents into the cab during crop treatments, meaning you no longer need to wear bulky PPE.





HIGHLIGHTS

- › Four-post cab design for full panoramic visibility. Automotive-grade fit and finish and ergonomic controls.
- › Premium + trim level: air-suspended swivel seat with multifunction armrest and SmartPilot Plus joystick, DSM high-resolution touch screen display.
- › Flat platform for maximum operating comfort.
- › Excellent acoustic and thermal insulation.
- › Driving position with air-suspension seat and tilting telescopic steering wheel.
- › Cab suspension with Hydro silent blocks or spring-loaded shock absorbers.
- › Category 4 activated carbon filter protection, for safe handling of pesticides.
- › Exclusive Full LED driving and working light configuration.

PREMIERE CAB: ALL-ROUND VISIBILITY AND COMFORT

The Premiere Cab, the new cab of the X4F, offers the operator a well-lit, comfortable and safe working environment. The four-post design provides full all-round visibility and the rear-hinged doors allow easy access to the driving position. Perfectly air-conditioned and sound insulated, the Premiere cab features a flat clutter-free platform, a fully adjustable driving position with ergonomic controls, a Premium + trim with latest-generation DSM touch screen display, a high-grade fit and finish, a DAB radio, a climate control system and full-LED lights. All these features make your working days less tiring and more productive.

The satellite antenna has been integrated into the cab roof to reduce the tractor height without affecting the cab's interior dimensions. The external width of the cab is 1205 mm on the F and XL models and 1000 mm on the N and V models.



Premiere Cab, the control centre of your productivity

With its automotive-inspired design, the Premiere cab welcomes the operator into a comfortable and productive environment, where every element has been designed to be simple, functional and convenient. The cab floor is flat and the driving position features an extra comfort air-suspension seat that can be equipped with a swivel option and a multifunction armrest that is integral with the seat and houses an all-in-one joystick. The steering wheel is telescopic and tilts with the dashboard. A DSM touch screen display and a digital dashboard are available for easy and intuitive operation. Levers and pedals are ergonomically designed for enhanced driving comfort. Beside the Standard configuration, the cab is available with the innovative Premium and Premium + trims to maximise operator comfort and tractor performance.

Advanced Driving System and Precision Steering: all-round advantages

Working between crop rows is challenging, because driving the tractor and operating the implements simultaneously requires utmost attention. To increase comfort and productivity, McCormick has introduced the Advanced Driving System (ADS). This new driver assist technology allows the tractor to manage the driving trajectory, enabling the operator to fully focus on their task. Seamlessly integrated with the Precision Steering Management (PSM) satellite guidance system, the ADS follows precisely the planned trajectories, without the need for additional devices. Moreover, the ADS makes the steering wheel stiffer as the speed increases and softer when maneuvering, allowing the wheels to automatically return to a straight position after a turn. The ADS system also adapts the vehicle's driving behavior to the ground conditions, reducing impacts and vibrations.

IDEAL CLIMATE ALL YEAR ROUND

The Premiere Cab's efficient climate control system creates a perfect working environment all year round. The system and the control console are conveniently located on the cab roof and filters are easily accessible for cleaning. Natural ventilation is provided by the opening front and rear windscreens.



SUSPENDED AXLE AND CAB: MORE COMFORT, MORE PRODUCTIVITY

The Premiere Cab is suspended on Hydro silent blocks. The F and XL models can be fitted with mechanical spring-loaded shock absorbers allowing for a vertical travel of -30 / +30 mm. On the F, N and XL models, the front axle can be suspended: reducing vibrations and working in greater comfort ensures greater productivity.

LOW NOISE AND HEALTH PROTECTION

Excellent cab pressurisation and soundproofing systems ensure excellent noise insulation and a dust-free working environment. Furthermore, a Category 4 activated carbon filter protects the operator from contamination during the application of pesticides.

New SmartPilot Plus joystick, to keep everything under control

Integrated into the multifunction armrest, the innovative SmartPilot Plus controller allows the operator to shift through all gears and ranges of the P3-Drive transmission without depressing the clutch pedal. The transmission engages immediately providing optimum traction both in the field and on the road. The SmartPilot Plus is an all-in-one joystick that gives the operator full intuitive control of key tractor functions: transmission, power shuttle, hydraulic system, rear hitch, PTO, automatic headland management and engine speed memories. On the models with Premium + trim, the joystick is integrated into the multifunction armrest and moves together with the swivel seat for maximum operator comfort and enhanced productivity.



PREMIUM TRIM, FOR THOSE WHO WANT THE BEST

The Premium trim offers a package of features designed to enhance the operator comfort and improve the efficiency of the X4F. The trim level includes:

- › **SmartPilot Plus all-in-one joystick;**
- › **Robotised 48F/16R transmission;**
- › **RPS – Reverse Power Shuttle;**
- › **ADS – Advanced Driving System;**
- › **Electronically-controlled rear hitch.**

- › **SmartPilot Plus all-in-one joystick:** allows the operator to drive and operate the implements with just one hand; this option provides fast and easy operation, for greater productivity and enhanced comfort.
- › **Robotised 48F/16R transmission:** combines the ruggedness and reliability of a mechanical gearbox with the comfortable driving experience of a continuously variable transmission.
- › **RPS – Reverse Power Shuttle:** makes for quick forward/reverse shifting without using the clutch, for more efficient operation. The shuttle response is adjustable by the operator to suit different tasks and conditions.
- › **ADS – Advanced Driving System:** the smart steering system automatically adjusts the tractor trajectory, thereby increasing comfort and productivity on all terrains.
- › **Electronically-controlled rear hitch:** the joystick-controlled rear hitch and the automatic headland management system make work faster, more precise and more comfortable.

PREMIUM + TRIM, FOR THOSE WHO WANT THE MAXIMUM

The Premium + trim level is designed for agricultural professionals who want the maximum from their tractor in terms of performance, profitability and comfort. This trim level includes, in addition to the Premium trim package, the following features:

- › **Extra-comfort seat with air suspension;**
- › **Multifunction armrest;**
- › **DSM – Data Screen Manager;**
- › **Rear electrohydraulic remotes.**

- › **Extra-comfort seat with air suspension:** the seat swivels 16° to the right, to allow easy monitoring of work progress and convenient use of the console, and 8° to the left, to make driver's entry and exit easier.
- › **Multifunction armrest:** the multifunction armrest moves with the swivel seat; the SmartPilot Plus joystick controller and the most frequently used controls are integrated into the armrest in an ergonomic manner for maximum operating efficiency.
- › **DSM – Data Screen Manager:** the 10-inch high-resolution touch screen display allows the operator to configure and customise all functions according to their specific needs and to operate the tractor in a simple, fast and more efficient manner.
- › **Rear electrohydraulic remotes:** rear remotes are controlled easily and quickly from the SmartPilot Plus joystick; this does away with levers, providing maximum accuracy and comfort of operation.





McCORMICK X4F, THE LAUNCHING PAD FOR YOUR PRODUCTIVITY

Perfect view of the work area.

The X4F ensures smooth operation at all times, even under low-hanging branches. The tractor design allows complete visibility even at short range, which is indispensable when working in confined spaces.

With the X4F Platform, the operator is in focus.

The X4F Platform is a concentrate of solutions designed to increase comfort and reduce fatigue. These include: a wide, low platform suspended on Hydro silent blocks to reduce shocks from the ground; a spacious driving position; an air-suspended seat; a telescopic steering wheel; ergonomic and intuitive controls; and a redesigned, more functional console.

Quick and easy maintenance for higher productivity.

McCormick has designed and implemented a set of technical solutions that simplify and speed up maintenance, reducing downtime. This results in lower costs and increased productivity.

HIGHLIGHTS

- › Spacious and comfortable platform, suspended on Hydro silent blocks.
- › F and XL models: new suspended front axle available for increased comfort in the field and during transfers.
- › Access to the driving position is easy and unhindered.
- › Full all-round visibility, even at short range.
- › User-friendly ergonomic controls.
- › GB model: the driving position is the lowest in this segment.
- › Any elements above the bonnet line can be folded away.

THE X4F PLATFORM IS SPACIOUS, COMFORTABLE AND PRODUCTIVE

The bold styling of the **X4F** Platform combines beauty and efficiency: the sleek and dynamic profile of the bonnet and the curved lines of the fenders makes for easier operation even in low crops. The driver's seat is large, comfortable and safe, and allows full view of the work area, for increased productivity.

Multiple solutions to keep the operator in focus

The **X4F** Platform offers a number of solutions to make work easier: a spacious, lowered floor suspended on Hydro silent blocks to absorb impacts of rough terrain; easy access to the spacious driver's workstation; air-suspension seat and telescopic steering wheel; intuitive, ergonomically positioned controls; and a new console design to increase functionality. Everything has been designed for maximum comfort: with the **X4F**, the operator is always in focus.



FOLDING ROPS

Thanks to its pneumatic pistons, the ROPS is easy to raise and lower.

Quick and easy maintenance to increase productivity

Reducing downtime means reducing costs and increasing productivity. That is why at McCormick we have developed a series of technical solutions that ensure easier and faster maintenance:

- 1.** The fuse box, equipped with access door, is located in a compartment in the central console.
- 2.** The electronic control unit box, located behind the seat, is easy to access.
- 3.** The clutch cable and reverse shuttle are easy to access for servicing, via removable panels positioned on the side of the central tunnel.
- 4.** The parts under the platform and the electrical wiring are easy to access through the cover on the central tunnel.
- 5.** The rear components for servicing the rear hitch and remotes are easy to reach: by unscrewing the supports, the platform can be raised by 50 mm without having to remove it.

X4F GB, the low-clearance specialist

The **X4F GB** features the lowest driving position in its class, with a steering wheel height of only 1,280 mm. The steering wheel and backrest are below the bonnet line, and the ROPS and number plate holder can be folded down. A combination of solutions that allows the **X4F GB** to work easily inside greenhouses and under overhead trellis systems as well as to negotiate low-hanging branches such as in kiwi-fruit plantations.



A TRANSMISSION WITH MANY OPTIONS AND JUST ONE GOAL: **EFFICIENCY**



The innovative P3-Drive transmission increases comfort and productivity.

The P3-Drive robotised transmission is intuitively operated from the joystick, for truly enhanced comfort. The automatic operation also allows the operator to fully concentrate on the task at hand, resulting in higher productivity.

The transmission of the X4F is a champion of configuration flexibility.

The X4F has a truly versatile transmission that can be configured to the specific needs of each farmer. Customisations include: manual or power-assisted P3-Drive transmission; number of ranges, with or without creeper; mechanical or electrohydraulic reverse shuttle; without powershift or with Hi-Lo or HML powershift.

Electrohydraulic Reverse Power Shuttle, for enhanced operation.

The Reverse Power Shuttle is an electrohydraulic reverse shuttle that enables automatic engagement and disengagement of the clutch, with response modulation according to the implement used and the type of terrain. With the power shuttle manoeuvres become much quicker and easier, resulting in better comfort and increased productivity.

A FULLY **CUSTOMISABLE** TRANSMISSION TO SUIT YOUR NEEDS



The Speed Four transmission of the X4F features 4 synchronised gears and 3 mechanical speed ranges, for a total of 12F + 12R speeds. The creeper offers 4 ranges providing 16F + 16R speeds. The Speed Four transmission is extensively configurable:

- ▶ Power Four: 2-stage Hi/Lo Powershift, 24F + 24R; 32F + 32R with Creeper.
- ▶ Xtrashift: 3-stage HML Powershift with 36F + 12R; 48F + 16R with Creeper.
- ▶ P3-Drive: robotised transmission with 36F + 12R; 48F + 16R with Creeper, for unrivalled comfort.



HIGHLIGHTS

- › P3-Drive HML transmission featuring 3 powershift gears and 4 speeds with robotised shifting via the multifunction joystick.
- › Electrohydraulic Reverse Power Shuttle with electronically modulated shuttle response
- › Smart APS Auto PowerShift: automatic gear selection for improved tractor performance and optimised fuel economy.
- › Stop & Action, for a smoother and safer driving experience.

Eco Forty for reduced fuel consumption and noise

The Eco Forty system, supplied with the Power Four, Xtrashift and P3-Drive transmissions, allows a top speed of 40 km/h at only 1750 rpm in the high speed range. This means less noise during transport and, above all, a significant reduction in fuel consumption.

Smart APS Auto PowerShift automatic transmission

The Smart APS Auto PowerShift facility is designed to ensure the best balance between performance and fuel economy. Based on load conditions, advance speed and engine rpm, the system automatically selects the right gear in each range, offering an easy, safe and comfortable driving experience in any situation.

Stop & Action system

The Stop & Action system integrates the De-clutch function into the brake pedal. This allows the operator to stop the tractor without using the clutch pedal. Combining the Stop & Action system and the APS facility, the P3-Drive transmission ensures a smooth driving performance, comparable to that of a continuously variable transmission.

Two- or four-speed PTO and Auto PTO

The rear PTO offers two speeds: 540/540e rpm or 540/1000 rpm. A four-speed PTO providing 540/540Ee/1000/1000E rpm is also available as an option.

When operating the electronic hitch during headland turns, the Auto PTO function allows the PTO to be automatically engaged and disengaged. The X4F can be equipped with a 1000 rpm front PTO. This is fully integrated into the tractor chassis for a more compact and robust design.

P3-Drive robotised transmission increases comfort and productivity

On the P3-Drive transmission, both the three powershift gears (HML) and the four speeds of the Speed Four transmission are power-assisted. The P3-Drive robotised transmission:

- › **Increases Comfort:** The P3-Drive is easily operated from the joystick, for greater operating comfort.
- › **Increases Productivity:** With the P3-Drive the operator can choose between the ease of manual mode, which allows the transmission to be operated with two buttons, and the convenience of automatic mode, which automatically selects the best gear. This allows the operator to concentrate on the job in hand, enhancing productivity.



ELECTROHYDRAULIC POWER SHUTTLE AND DE-CLUTCH FUNCTION

The X4F tractors are fitted as standard with a synchro shuttle. Optionally available is an electrohydraulic power shuttle with electronically modulated shuttle response to suit operating conditions. The system ensures soft starts, protecting both the tractor and implements from shock loads for enhanced operator comfort. The Power Shuttle comes with a De-clutch button located on the gear lever that allows the operator to shift through all gears without depressing the clutch pedal.



PTO WITH MODULATED ENGAGEMENT, FOR SUPERIOR COMFORT

A power-assisted button enables smooth and modulated engagement of the PTO. This ensures a soft start-up of the implement for greater operator comfort.

SUSPENDED FRONT AXLE: MORE **STABILITY**, MORE **AGILITY**



The F, N and XL models can be fitted with a suspended front axle for more stability and agility. The suspended axle provides maximum grip and traction, even on rough terrain. The suspended axle improves tractive performance and vehicle control in the field, and increases safety, speed and operator comfort on the road.

The suspended front axle is supplied with a diff lock and oil bath disc brakes, for excellent four-wheel integral braking. The steering angle of up to 55° ensures perfect manoeuvrability in every situation.

HIGH-PIVOT NARROW AXLE FOR V MODELS

The V model features a narrow rigid-mounted high-pivot front axle with increased swing and a minimum overall width of 1000 mm, making for easy steering in tight spaces.



Wide range of tyres and reinforced rims

The X4F offers a range of wheels to meet any work requirements:

- ▶ F and N models: 24" or extra-wide 28" rear tyres.
- ▶ XL model: 24", extra wide 28" or oversized 30" rear tyres for working in wide orchards and open fields.

The X4F can be equipped with reinforced rims with 8-position variable track width, designed for high power tractors. A set-up that allows working with greater loads and provides more stability in the field and on the road, further improving productivity, comfort and safety.



ELECTROHYDRAULIC DIFF LOCKS FOR EXCELLENT TRACTION

The electrohydraulic 4WD engagement and Hydralock combined front and rear differential locks ensure excellent traction even on the roughest terrain. In addition, the Auto function enables engagement and disengagement during headland turns and transport operations for improved working comfort.

THE HYDRAULIC SYSTEM IS DESIGNED FOR **VERSATILITY**

The hydraulic system can be configured to the needs of each farmer.

Farmers perform a variety of tasks on the farm and grow different types of crops. The **X4F** features a highly configurable hydraulic system that can be tailored to the specific needs of each farmer. The modular design of the hydraulic system allows the **X4F** to handle a wide variety of tasks such as orchard work, storage operations or green maintenance activities.

The hydraulic system of the X4F delivers efficiency.

The hydraulic system of the **X4F** is not only highly flexible, but also extremely efficient thanks to the new triple pump hydraulic system. The **X4F** delivers a flow of 54 l/min at only 1500 rpm, 25 per cent less than the usual 2000 rpm. This advantage generates significant savings in terms of lower consumption and reduced maintenance costs.

The electronic rear hitch is powerful, comfortable and productive.

The electronic rear hitch of the **X4F** lifts up to 2700 kg. The XL has a maximum lift capacity of 3400 kg, the highest in the segment. With the Auto PTO function the PTO engages and disengages automatically when the hitch is raised or lowered at headlands, resulting in greater convenience, reduced operator stress and enhanced productivity.



A TAILOR-MADE HYDRAULIC CIRCUIT



The fully customisable hydraulic system of the X4F is designed to offer each farmer the configuration best suited to their specific needs.

The standard hydraulic system includes a double pump with 58 + 30 l/min, the first supplies the rear hitch and the remote valves while the second powers the steering system. A 58 + 30 + 36 l/min triple pump is also available: two pumps supply the rear hitch and the rear and mid-mount remotes with a maximum flow rate of 88 l/min, of which 54 l/min already available at an engine speed of only 1500 rpm; the third is a high-flow pump dedicated to the steering circuit.

The design of the hydraulic circuit allows up to seven remote valves to be fitted:

- › 4 rear mechanical or electrohydraulic remote valves.
- › 3 mid-mounted electrohydraulic remote valves.

The X4F can also be equipped with a flow selector, a 4- or 6-way diverter valve to control multiple functions with a single spool valve, and a flow diverter to regulate the oil flow to the remotes. In addition, it can be fitted with hydraulic stabilisers, top link and right lifting rod; all movements are controlled via 2 push buttons allowing the implements to be easily attached and adjusted while working.

A WORLD-CLASS REAR HITCH

The Category 2 mechanical or electronic 3-point rear hitch is capable of lifting 2700 kg. On the XL model, two assistor rams increase the lift capacity up to 3400 kg, providing class-leading lifting performance. The rear hitch of the X4F is easy to use thanks to ergonomically arranged, intuitive controls. The Ergonomic Lift System (ELS) allows the operator to raise and lower the implement by the simple click of a button, making headland turns easier and faster. This technology increases productivity and reduces operator fatigue.



AN ERGONOMIC JOYSTICK OPERATES THE IMPLEMENTS

The front and mid-mount implements are operated via an intuitive joystick for unrivalled comfort and ease of operation. With the P3-Drive transmission, a multi-function joystick controls both the implements and transmission.

HIGHLIGHTS

- › Open centre hydraulic circuit: double pump with 58 + 30 l/min; triple pump supplying 30 + 58 + 36 l/min, with 88 l/min dedicated to the rear hitch and remotes for improved efficiency.
- › Rear hitch providing a lift capacity of up to 3400 kg for the XL model. The Ergonomic Lift System (ELS) makes the rear hitch quick and easy to use.



FENDER-MOUNTED CONTROLS FOR EASIER ACCESS

External PTO and hitch controls are located on the rear fenders, making it easier to attach implements from the ground.



QUICK-RELEASE COUPLINGS

Quick-release couplings at the front and rear make connecting implements quick and easy: saving time and improving working comfort has never been easier.



Intuitive hitch for easier and more productive work

The electronic hitch of the X4F is controlled via intuitive controls ergonomically arranged on the right-hand console. In addition, the sensors located on the lower links of the 3-point hitch increase sensitivity, making implement operation easier and increasing productivity.

Front hitch and PTO for outstanding versatility

The electronic hitch and PTO, fully integrated into the chassis for greater compactness and strength, give the X4F unrivalled versatility. The Category 1 or 2 front hitch is equipped with quick-release couplings and lifts 1700 kg. The electrohydraulically engaged front PTO provides a speed of 1000 rpm.





McCORMICK **DIGITAL SOLUTIONS** BRING THE FUTURE TO THE FIELD

Technological innovation improves working conditions, increases productivity and protects the environment. Following this philosophy, the Argo Tractors Group has prepared its tractors for the most cutting-edge digital and telematic technologies. This will help farmers manage their machinery fleets and their farms more efficiently and remotely, wherever they are. **McCormick Digital Solutions** offers a range of advanced functionalities:

Telemetry and Remote Diagnostics: Thanks to the Fleet & Remote Diagnostics Management system, telemetry monitors your fleet analysing tractor performance data, while remote diagnostics enables tractor parameters to be monitored and managed from a remote location

Precision Farming: The Precision Steering Management satellite guidance system improves working accuracy and efficiency; the ISOBUS system ensures efficient control of implements, including in automatic mode.

Farm Management: McCormick Farm manages prescription maps and simplifies farm management.

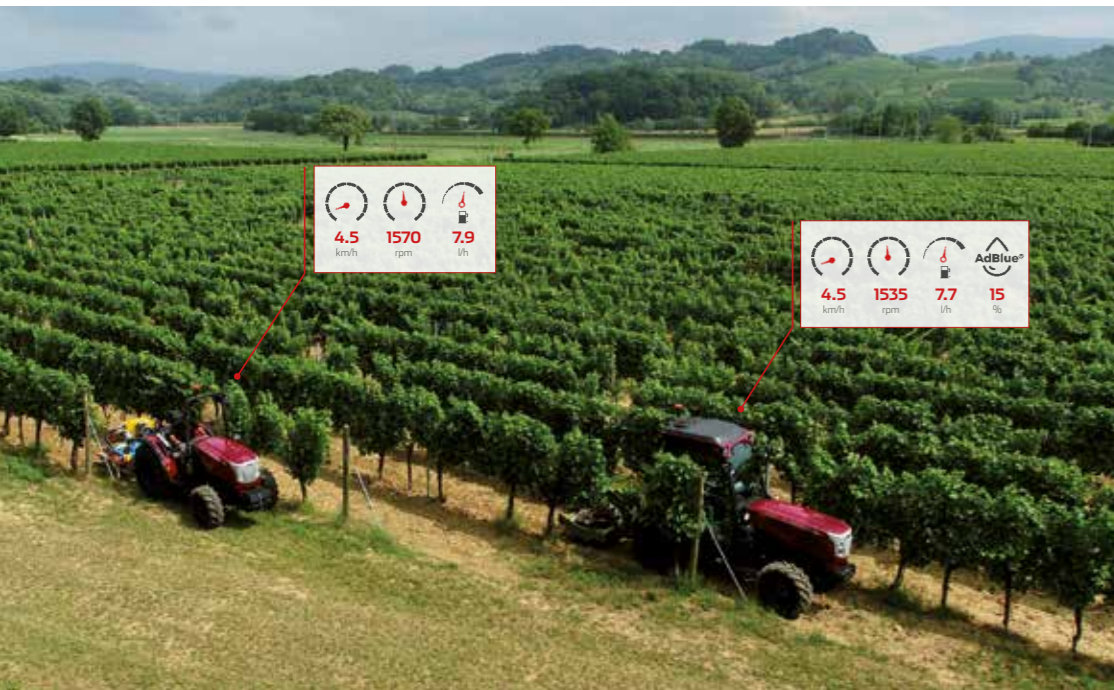
Digital Services: The My McCormick app provides easy access to the McCormick world.

Cloud Data: The Agrirouter cloud platform allows integrated communication among all services.

McCormick Digital Solutions give you more performance, more efficiency and more profitability while improving simplicity, safety and comfort.



FLEET & REMOTE DIAGNOSTICS MANAGEMENT: PROFIT ASSURED



McCormick, a brand globally recognised as synonymous with high performance and cutting-edge technology, equips all its tractors with remote management and diagnostic capabilities. The **McCormick Fleet & Remote Diagnostics Management system** helps farmers make informed data-driven decisions that will reduce their operating costs while increasing the efficiency and productivity of their farms. The system, which can be easily accessed from a computer or a mobile device, allows farmers to remotely monitor the activity of each tractor and analyse the data of their entire fleet of vehicles. This advanced solution is based upon four key elements:

1. Real-time fleet monitoring
2. Data analysis
3. Scheduled maintenance and remote diagnostics
4. Activity history

McCormick is fully committed to addressing the needs of modern agriculture with concrete and effective solutions. The **McCormick Fleet Remote Diagnostics Management system** helps farmers manage their farms more efficiently by favouring the most appropriate choices in order to maintain their tractors in good working order, optimise their work and increase their business profitability.

1. Real-time fleet monitoring: The system displays at all times the exact location of each tractor in a fleet and, using the Geofencing technology, notifies whenever a vehicle enters or exits a specified zone. It also measures the efficiency of each tractor by checking parameters like speed, engine hours and RPMs, fuel and AdBlue levels, average consumptions and work progress.

2. Data analysis: The data coming from the tractors allow the system to measure the productivity of each vehicle in the fleet and the farm's operating profit. These data are essential to monitor and reduce costs, make predictions, organise work plans and take informed decisions.

3. Scheduled maintenance and remote diagnostics: The tractor fleet is managed in a simple and fast manner. In case of failure, our aftersales service intervenes remotely in real time in order to adopt the most appropriate solutions and to improve the tractor's performance, thereby reducing downtime and extending the equipment's life.

4. Activity history: This function delimits the work areas and stores the data of the activities performed. This allows the user to better organise the work, increase efficiency and productivity and maximise profitability.



McCORMICK FARM TECHNOLOGY FOR A MORE PRODUCTIVE FARM

McCormick improves the efficiency of your farming operations. But not only this: **McCormick Farm** connects your tractor to an intelligent and intuitive farm management system. This brings farmers a number of benefits in terms of time saving, work simplification and enhanced performance.

360-degree management solutions for your farm

McCormick Farm supports more than 400 different crops and allows virtually all tasks on the farm to be accomplished, including crop management, tracking and planning of field activities, advice on crop protection and irrigation practices, creation and exchange of prescription maps with monitoring of costs and sustainability, export of documents.

Connected to your McCormick

By connecting your McCormick to the **McCormick Farm** app, you can view performance levels and reports on the farming activities carried out in the fields. In addition, you can display prescription maps, A/B lines, boundaries and obstacles.

Always at your fingertips

Whether in the field or on the farm, McCormick is always at your side, thanks to the **McCormick Farm** app for smartphone and tablet. And if you want to run your business from your computer, you may access the web version synchronised with the mobile devices.

Simple and intuitive

McCormick Farm is designed to be clear and user-friendly. A support chat answers questions about the use of the app.





PRECISION STEERING MANAGEMENT FOR PRECISION PERFORMANCE



Precision farming has been in existence ever since man started to cultivate land. Today, thanks to technological development, precision farming is carried out with cutting-edge tools that improve efficiency and increase productivity.

McCormick uses the innovative **PSM (Precision Steering Management)** system, a set of integrated devices for satellite-assisted guidance that can be managed from the tractor cab via an intuitive touch screen, on which the tasks to be performed in the field can be easily imported. Thanks to the precise automated steering control, the tractor only deviates 2 cm from the desired route, eliminating overlaps. This helps operators work with more speed and accuracy and reduces operating costs and environmental impact while raising efficiency and productivity in the field.

ISOBUS & ISOBUS GREEN MAKE YOUR WORK SIMPLE AND EFFICIENT

In 2015, Argo Tractors received the AEF ISOBUS certification. The **ISOBUS** system is the standard protocol through which the on-board computer communicates with the tractor and implements. The automatic control of **ISOBUS**-compatible implements allows variable-rate applications to be delivered through prescription maps generated by McCormick Farm. All **ISOBUS**-compatible implements are managed via a DSM 10"

touch screen monitor to improve operating efficiency and productivity. McCormick is a leading participant in the innovative **ISOBUS Green** project. This project allows farmers to retrofit their mechanical implements with the technology so as to connect them to the tractor's **ISOBUS** system. This solution maximises the efficiency of every implement.

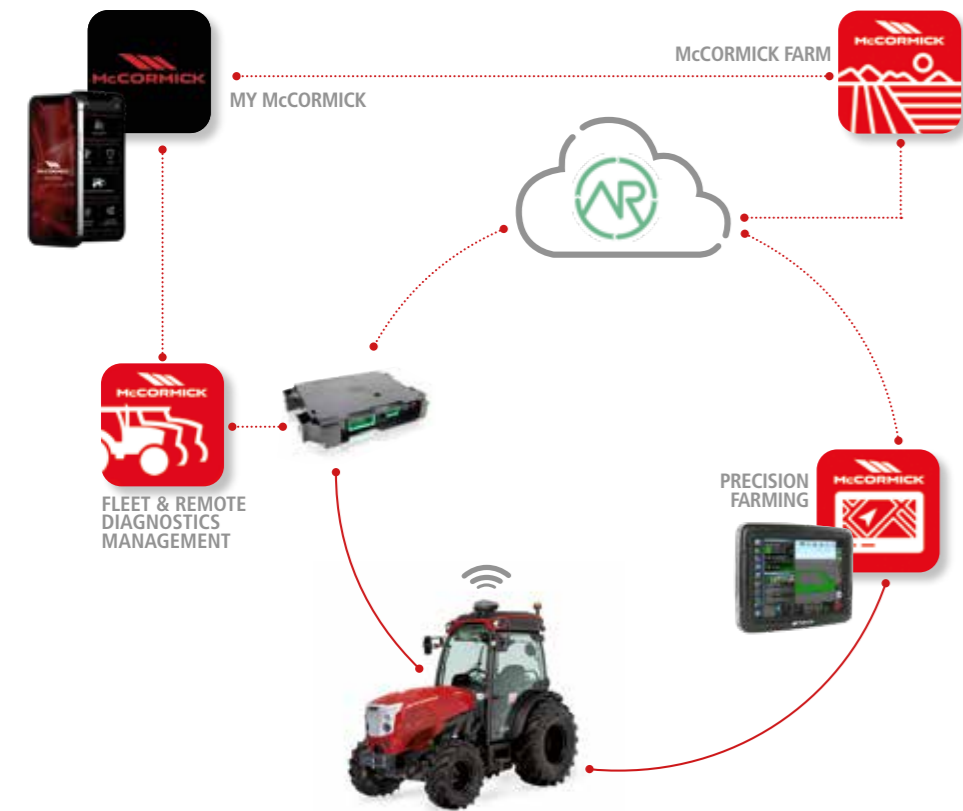
Precision Steering Management & ISOBUS bring benefits into the field

The **Precision Steering Management** and the **ISOBUS** system are innovative technologies adopted by McCormick to increase efficiency and productivity while improving comfort and safety:

- › All implement activities are managed with a high level of accuracy, including in automatic mode.
- › Difficult manoeuvres are simplified, thereby reducing operator fatigue.
- › When the driver must attend to driving and simultaneously control the implements, the PSM satellite-based guidance system will allow them to fully concentrate on the task at hand.
- › The satellite guidance system tracks field operations with maximum accuracy. Thanks to the RTK protocols, the automatic steering allows a deviation of only 2 cm from the set route.

- › Reducing the travelled distance in the field reduces tractor and implement wear and tear and saves fuel.
- › The use of variable-rate applications based on prescription maps generated by the McCormick Farm platform eliminates skips and overlaps, minimizing product waste. Variable-rate technology reduces overuse of water, seed use by 10%, fertilizer use by 16% and herbicide use by up to 60%.
- › Chemical residues are also reduced with significant benefits for the environment.
- › Reports and pre-setting operations are simpler and can be done autonomously without recourse to skilled personnel.
- › The PSM technology integrates seamlessly with the ADS system to precisely execute the planned driving trajectories without requiring additional devices.

ARGO TRACTORS FLEET ROUTER MANAGEMENT SIMPLIFIES YOUR WORK



The new digital technologies have rapidly multiplied the sources and destinations of data. Today, it is paramount for both small farmers and large agricultural businesses to enable different systems to communicate with each other. For this reason, on March 30, 2023, Argo Tractors has become an **Agrirouter** certified partner with the account *Argo Tractors Fleet Router Management*. **Agrirouter** is a universal data exchange cloud platform that allows the interchange of information between machinery, equipment and software of different manufacturers. **Agrirouter** links different sources and platforms, simplifying the operating processes and ensuring data confidentiality. The operator keeps everything under control with a single system. By connecting the tractor to the implements, including those from different manufacturers, and to the McCormick Farm platform, a simple and efficient integrated management of both machinery and farm is achieved.

MY McCORMICK APP, THE McCORMICK WORLD IN YOUR HAND



The intuitive **My McCormick** app offers the user a 360-degree immersive experience through our Digital Solutions. The **My McCormick** app gives you easy access to all McCormick digital services, allowing you to stay connected with the company through news, insights, offers and customised information. With **My McCormick** you can:

- > Register your McCormick tractor fleet and access the scheduled maintenance program.
- > Access the McCormick Fleet & Remote Diagnostics Management system.
- > Access the McCormick Farm platform.
- > Stay updated with the very latest news and events from the McCormick world.
- > Stay informed on promotions and offers of tractors, original spare parts and services.
- > Stay updated with new products, promotions and events from the nearest dealer.

McCormick is always at your side. With the **My McCormick** app you have the whole McCormick world at your fingertips, so you stay informed and optimise your work making it more efficient and productive.

THE X4F SETS PRODUCTIVITY IN MOTION



Compliance with Stage V standards and full operational visibility.

The X4F tractors fully meet the Stage V/Tier4 Final emissions regulations using the DPF, DOC and SCR systems and the AdBlue technology. The exhaust gas after-treatment system fits under the bonnet without requiring modification. This innovative solution allows unobstructed view in all directions while maintaining the tractor compact design.

New filter usage strategy saves time and costs and enhances performance.

An innovative filter usage strategy extends intervals between maintenance interventions, from 500 to 1000 hours. This generates a significant reduction in downtime and lower maintenance costs, resulting in increased efficiency.

With the Engine Memo Switch engine speed is managed quickly and precisely.

With a simple push of a button, the Engine Memo Switch allows the operator to store and recall the engine speed best suited to the task at hand. A solution that makes work more efficient and faster, resulting in improved comfort and productivity.

Deutz-AG TCD Stage V engine, the powerful and clean heart of the X4F

More power, lower fuel consumption and more versatility than ever before. These are the benefits provided by the new Deutz AG TCD 2.9-litre, 8-valve, 4-cylinder engines with power ratings of 75 to 112 hp. These engines are equipped with turbocharger, intercooler, electronic common rail injection system and reach the maximum power between 1500 and 2000 rpm. They come with either a 65 or 85 litre fuel tank, depending on the model. The passive regeneration of emissions and the Engine Memo Switch, a device that allows the operator to store and recall the engine speed best suited to the implement used, keep fuel consumption to a minimum.

Eco-friendly Stage V engines

Innovative DPF + DOC + SCR technology enables the X4F to comply with Stage V / Tier 4 Final emissions regulations. This exhaust gas after-treatment system consists of a DPF passive-regeneration particulate filter, a DOC oxidation catalyst, an SCR selective catalytic reduction system for models over 75 hp, and an easy-fill 7.5 l AdBlue tank. The after-treatment system fits under the bonnet without modification, keeping the tractor front uncluttered for maximum visibility while still maintaining a compact design.





QUICK AND EASY MAINTENANCE TO GET YOU UP AND RUNNING IN NO TIME

Reliable and versatile, the X4F features a number of solutions designed to make maintenance easier and quicker:

1. Extended servicing intervals: up to 1000 hours.
2. The fully opening bonnet and removable side panels allow full access to the engine, making inspection and maintenance quicker.
3. A handy toolbox is contained in a compartment in the access ladder.
4. The engine oil can be topped up without opening the bonnet, as the oil filler cap with dipstick is located in the lower part of the engine.
5. Due to its location, the engine suction filter is easy to clean and replace.
6. The radiators, fitted at the front of the engine, and the laterally-removable dust

cover allow for simple, fast and thorough cleaning.

7. The battery's positive terminal is easily accessible to allow for quick jump starting with jumper cables.
8. Topping up with AdBlue is quick and easy, thanks to the opening door located on the bonnet and a specially designed cap that allows topping up without being unscrewed.
9. The air filters, fitted on the cab roof, are easy to access and protected by quick-release grids for fast maintenance.
10. Oil level in the transmission can be easily checked through the oil filler cap with dipstick located at the tractor's rear.



McCORMICK ORIGINAL SPARE PARTS: NUMBER ONE IN PRODUCTIVITY

Although it works hard, your McCormick tractor always looks good as new. With McCormick original parts time seems to have stopped. Our original spare parts are an integral part of our scheduled maintenance and extended warranty program. Developed by the same engineers who design and manufacture the McCormick tractors, genuine McCormick parts are designed and manufactured to the highest quality standards to ensure reliable and safe performance over time.

The strong points of McCormick original spare parts are the following:

- **Fast delivery:** Spare parts are always shipped within 24 hours of order receipt.

- **Quality:** Each part comes with a 12-month warranty and is marked with a tamper-proof hologram that certifies the product's quality and originality.

- **Value for Money:** Original McCormick parts are reliable and good value: they improve your tractor performance, maintain high productivity levels and preserve your tractor's value.

All McCormick spare parts rely on our extensive design and manufacturing expertise. When you choose McCormick, you are choosing quality without compromise.



POWER TECHNOLOGY, SINCE 1847

Cyrus Hall McCormick was born in Virginia, United States, in 1809. A keen inventor, he stunned the agricultural world with inventions that mechanised the farm work. In 1831 he invented the first mechanical reaper. In 1847 McCormick established a factory for the production of grain harvesters. In 1866 the company adopted the red colour that still identifies the brand worldwide. In 1871 McCormick manufactured more machines than any other company in the world: 250 reapers per day. The first tractor, the Mogul 8-16, was launched in 1906. In those years, the company opened up factories in Canada, Great Britain, Germany, France and Sweden.

In 2000, after several changes of ownership, McCormick was acquired by the Argo Group, which relaunched the brand under the name McCormick Tractors International Limited. Today, McCormick is a world leader in the tractor industry and its name stands for uncompromising technology and innovative design. Thanks to heavy investments in research and development, the new generation of McCormick tractors leads the market for performance and innovation. Farmers look for efficient, reliable and versatile solutions to maximise their productivity – and this is exactly what we are proud to offer our customers .

	X4.080 F-N-V-XL	X4.090 F-N-V-XL	X4.100 F-N-V-XL	X4.110 F-N-V-XL	X4.120 F-N-V-XL
ENGINE					
Manufacturer	Deutz AG				
Model	TCD 2.9 L4 HT	TCD 2.9 L4 HP			
Rated power (ISO)	hp/kW 75 / 56	78 / 58	85 / 63	95 / 70	104 / 77
Max power (ISO)	hp/kW 75 / 56	90 / 66	95 / 70	102 / 75	112 / 82
Rated engine speed	rpm 2200				
Max power engine speed	rpm 1500	1700	1700	1800	2000
Max torque	Nm 375	378	400	410	420
Max torque engine speed	rpm 1600				
Torque backup	% 56	50	46.3	34.9	25,7
Displacement	cm ³ 2900				
Cylinders /Valves	4 TA / 8				
Emissions category	Stage V / Tier 4 Final				
After-treatment system	EGR + DOC + DPF	EGR + DOC + DPF + SCR			
Air filter system	Power Core				
Air intake system	turbo aftercooled				
Fuel injection system	electronically-controlled high-pressure common rail				
Maintenance interval	1000 hours				
Cooling system	liquid				
Fan type	○ viscostatic				
Engine Memo Switch	●				
CAPACITIES					
Fuel tank	l 80 (F) / 65 (N-V) / 85 (XL)				
AdBlue / DEF tank	l ~	7,5			
Coolant tank	l 5				
TRANSMISSION					
Type	● Speed Four - ○ Power Four (Hi-Lo) / P3-Drive (HML)				
No. of gears FWD+REV	○ 16 + 16 creeper / 32 + 32 Hi-Lo +creeper / 48 + 16 HML +creeper				
Minimum speed	m/h 300 (F) / 280 (S-V) / 340 (XL)				
ECO engine speed at 40 km/h	rpm ○ 1750 (with Hi-Lo/HML)				
Transmission control	● manual (Speed Four / Power Four) - ○ robotised with multifunction joystick (RoboShift)				
Reverse shuttle	● mechanical synchro shuttle - ○ electrohydraulic RPS with modulation control				
FRONT AND REAR AXLES					
Front axle type	● rigid - ○ suspended (F-N-XL)				
Traction type	4WD with electrohydraulic engagement				
Front differential lock	● limited slip (F-N-XL with rigid front axle) / Hydra-Lock (V) - ○ Hydra-Lock (rigid / suspended front axle)				
REAR PTO					
Type	● servoassisted clutch - ○ electrohydraulic multidisc clutch (with RPS)				
Speeds	rpm ● 540-540E - ○ 540-1000 / 540-540E-1000-1000E / ground speed PTO				
Engine speeds at rated PTO speeds	1944 (540) / 1628 (540E) / 1917 (1000) / 1621 (1000E)				
Rotation - spline shaft type	clockwise (viewed from tractor rear) - 1-3/8" PTO shaft with 6 splines				
Auto PTO	○ with electronic rear hitch				
BRAKING SYSTEM					
Front braking system	~ (V) - ○ wet multidisc brakes (with Hydra-Lock front axle)				
Rear braking system	wet multidisc brakes				
Parking brake	mechanical				
Trailer braking system	○ hydraulic brake as per MR & EEC directives / hydraulic brake as per CUNA regulations				
HYDRAULIC SYSTEM					
Circuit type - pump type	● open-centre - dual pump - ○ open-centre - triple pump				
Flow rate hitch & remotes + steering	l/min ● 58+30 - ○ 30+58+36 (88 available for hitch and remotes)				
Rear remote valves	● 2 mechanical - ○ 3 mechanical / 3 mechanical + 1 electrohydraulic / 4 electrohydraulic				
Mid-mounted remote valves	○ 1 electrohydraulic / 3 electrohydraulic				
Front quick couplings	○ 2 + 1 free flow return / 4 + 2 free flow return / 6 + 2 free flow return / 8 + 2 free flow return				
Free flow return	●				
Flow divider with flow selector	○ 2/3 sections				
Hydraulic oil take out	● 25 - ○ 30 (with RPS)				

REAR HYDRAULIC HITCH					
Type	● mechanical with E.L.S. and position/draft/mixed/float control - ○ electronic with position/draft/mixed control				
Category - coupler type	● Cat.2 - fixed ball ends - ○ Cat. 2 - quick-hitch hooks with mechanical or hydraulic top link				
ELS -Ergonomic Lift System	● for mechanical rear hitch				
Max lift capacity at hitch points	kg	● 2700 - ○ 3400 (XL with assistor rams)			
FRONT HYDRAULIC HITCH					
Type	○ electrohydraulic				
Category - coupler type	Cat.1/2/2N - quick hooks				
Max lift capacity at hitch points	kg	1700 (F-N-XL) / 1400 (V)			
FRONT PTO					
Type	~ (V) - ○ electrohydraulic multidisc with modulated engagement (F-N-XL)				
Speeds	rpm	1000			
Engine speeds at rated PTO speeds	rpm	1800			
Rotation - spline shaft type	counter-clockwise (viewed from tractor front) - 1-3/8" PTO shaft with 6 splines				
DRIVING POSITION					
Cab type	○ high-visibility 4-post monocoque cab w/flat floor and opening front and rear windows				
Cab suspension	● suspended on Hydro-Silent Blocks - ○ mechanical suspension with shock absorbers (F-XL)				
In-cab noise level	dB(A)	73			
Cab air filter - filtration category	● dust filter - Cat. 2 - ○ active carbon filter - Cat.4				
Air conditioning	● manual A/C				
Radio system	● radio ready - ○ DAB radio and sound system				
Lights	● halogen driving and working lights - ○ LED driving and working lights				
Beacon light	○ halogen / LED				
ON-BOARD TECHNOLOGY					
Front / rear ISOBUS connector	○ front and rear ISOBUS socket				
McCormick Fleet Management - ready	●				
Fleet & Remote Diagnostics Management and McCormick Farm Pro Pack	on selected markets ● 1 year - ○ 3 years - ○ 5 years				
WEIGHTS AND DIMENSIONS					
Wheelbase	mm	2140 (F-N-XL) / 2190 (V)			
Height from top of cab to rear axle centre	mm	1875 (Cat.2) / 1930 (Cat.4)			
Height from top of bonnet to rear axle centre	mm	825 (885 at bonnet top point)			
Min-max overall width	mm	1330 - 1770 (F) / 1330 - 1770 (N) / 1000 - 1680 (V) / 1500 - 1950 (XL)			
Min rear tyres - Index Radius IR	mm	380/70 R24 - 575 (F-N) / 360/70 R20 - 500 (V) / 420/70 R24 - 600 (XL)			
Max rear tyres - Index Radius IR	mm	420/70 R28 - 650 (F-N) / 360/70 R28 - 600 (V) / 420/70 R30-480/70 R28 - 675 (XL)			
Shipping weight	kg	2900 - 3250 (XL)			
Gross vehicle weight	kg	5250			
Mounting frame for front- and mid-mount implements	● chassis with integrated mounting frame for front- and mid-mount implements -○ supports for mid-mount implements				
Front weight support	built-in				
Front weights	kg	○ 6 x 28 / 8 x 28 / 4 x 42 / 8 x 42 (F-N) - ○ 6 x 36 / 8 x 36 (XL) - ○ 6 x 28 (V)			
Rear weights	kg	○ 2 x 45 (1 x wheel) / 4 x 45 (2 x wheel)			

Key: ● standard ○ optional ~ not available

PLATFORM

		X4.080 F-GE-GB-XL	X4.090 F-GE-GB-XL	X4.100 F-GE-GB-XL	X4.110 F-GE-GB-XL	X4.120 F-GE-GB-XL
ENGINE						
Manufacturer		Deutz AG				
Model		TCD 2.9 L4 HT		TCD 2.9 L4 HP		
Rated power (ISO)	hp/kW	75 / 55	79 / 58	86 / 63	95 / 70	105 / 77
Max power (ISO)	hp/kW	75 / 55	90 / 66	95 / 70	102 / 75	112 / 82
Rated engine speed	rpm	2200				
Max power engine speed	rpm	1500	1700	1700	1800	2000
Max torque	Nm	375	378	400	410	420
Max torque engine speed	rpm	1600				
Torque backup	%	56	50	46.3	34.9	25.7
Displacement	cm ³	2900				
Cylinders / Valves		4 TA / 8				
Emissions category		Stage V / Tier IV				
After-treatment system		EGR + DOC + DPF	EGR + DOC + DPF + SCR			
Air filter system		Power Core				
Air intake system		turbo aftercooled				
Fuel injection system		Fuel injection system electronically-controlled high-pressure common rail				
Maintenance interval		1000 hours				
Cooling system		liquid				
Fan type		○ viscostatic				
Engine Memo Switch		●				
CAPACITIES						
Fuel tank	l	65 (F-GE-GB) / 70 (XL)				
AdBlue / DEF tank	l	~		7.5		
Coolant tank		5				
TRANSMISSION						
Type		● Speed Four - ○ Power Four (Hi-Lo) / Xtrashift (HML)				
No. of gears FWD+REV		● 12 + 12 - ○ 16 + 16 creeper / 24 + 24 Hi-Lo / 32 + 32 Hi-Lo+creeper / 36 + 12 HML / 48 + 16 HML+creeper				
Minimum speed	m/h	300 (F) / 280 (GE-GB) / 340 (XL)				
ECO engine speed at 40 km/h	rpm	○ 1750 (w/Hi-Lo/HML)				
Transmission control		manual				
Reverse shuttle		● mechanical synchro shuttle - ○ electrohydraulic RPS with modulation control				
FRONT AND REAR AXLES						
Front axle type		● rigid - ○ suspended (F-XL)				
Traction type		4WD with electrohydraulic engagement				
Front differential lock		● limited slip (rigid front axle) - ○ Hydra-Lock (rigid / suspended front axle)				
REAR PTO						
Type		● servoassisted clutch - ○ electrohydraulic multidisc clutch (w/RPS)				
Speeds	rpm	● 540-540E - ○ 540-1000 / 540-540E-1000-1000E / groundspeed PTO				
Engine speeds at rated PTO speeds	rpm	1944 (540) / 1628 (540E) / 1917 (1000) / 1621 (1000E)				
Rotation - spline shaft type		clockwise (viewed from tractor rear) - 1-3/8" PTO shaft with 6 splines				
Auto PTO		○ w/electronic rear hitch				
BRAKING SYSTEM						
Front braking system		○ wet multidisc brakes (w/Hydra-Lock front axle)				
Rear braking system		wet multidisc brakes				
Parking brake		mechanical				
Trailer braking system		○ hydraulic brake as per MR & EEC directives / hydraulic brake as per CUNA regulations				
HYDRAULIC SYSTEM						
Circuit type - pump type		● open-centre - twin pump - ○ open-centre - triple pump w/total flow availability for hitch and remotes				
Flow rate hitch & remotes + steering	l/min	● 58+30 - ○ 30+58+36 (88 available for hitch & remotes)				
Rear remote valves		● 2 mechanical - ○ 3 mechanical / 3 mechanical + 1 electrohydraulic / 4 electrohydraulic				
Mid-mounted remote valves		○ 1 electrohydraulic / 3 electrohydraulic				
Front quick couplings		○ 2 + 1 free flow return / 4 + 1 free flow return				
Free flow return		●				
Flow divider w/flow selector		○ 2/3 sections				
Hydraulic oil take out		● 25 - ○ 30 (w/RPS)				

REAR HYDRAULIC HITCH						
Type		● mechanical with E.L.S. and position/draft/mixed/float control - ○ electronic with position/draft/mixed control				
Category - coupler type		● Cat.2 - fixed ball ends - ○ Cat.2 - quick hooks w/mechanical or hydraulic top link				
ELS Ergonomic Lift System		○ for mechanical rear hitch				
Max lift capacity at hitch points	kg	● 2700 - ○ 3400 (XL w/assistor rams)				
FRONT HYDRAULIC HITCH						
Type		○ electrohydraulic (F-GE-XL)				
Category - coupler type		Cat.1/2/2N - quick hooks				
Max lift capacity at hitch points	kg	1700				
FRONT PTO						
Type		○ electrohydraulic multidisc with modulated engagement (F-XL)				
Speeds	rpm	1000				
Engine speeds at rated PTO speeds	rpm	1800				
Rotation - spline shaft type		counter-clockwise (viewed from tractor front) - 1-3/8" PTO shaft with 6 splines				
DRIVING POSITION						
Cab type		○ low-profile 6-post cab with 228mm high central tunnel and opening rear window				
Cab suspension		suspended on Hydro silent blocks				
Cab air filter - filtration category		● dust filter - Cat.2 - ○ active carbon filter - Cat.4				
Air conditioning		● manual A/C				
Radio system		○ radio ready / DAB radio and sound system				
Platform type		● ROPS w/228mm high central tunnel				
Platform suspension		suspended on silent blocks				
Lights		● halogen driving and working lights ○ LED driving and working lights				
Beacon light		○ halogen / LED				
ON-BOARD TECHNOLOGY						
Front / rear ISOBUS		○ front and rear ISOBUS socket				
McCormick Fleet Management - ready		●				
Fleet & Remote Diagnostics Management and McCormick Farm Pro Pack on selected markets		on selected markets - ● 1 year - ○ 3 year - ○ 5 year				
DIMENSIONI E PESI						
Wheelbase	mm	2140				
Height from top of ROPS to rear axle centre		1710				
Height from top of cab to rear axle centre	mm	1500				
Height from top of bonnet to rear axle centre	mm	825 (885 at bonnet top point)				
Min-max overall width	mm	1340-1690 (F) / 1415-1530 (GE) / 1400-1510 (GB) / 1510-2100 (XL)				
Min rear tyres - Index Radius IR	mm	380/70 R24 - 575 (F) / 360/70 R24 - 525 (GE) / 360/70 R20 - 500 (GB) / 420/70 R24 - 600 (XL)				
Max rear tyres - Index Radius IR	mm	420/70 R28 - 650 (F) / 360/70 R24 - 550 (GE) / 360/70 R20 - 500 (GB) / 420/70 R30-480/70 R28 - 675 (XL)				
Shipping weight	kg	2800				
Gross vehicle weight	kg	5250				
Mounting frame for front- and mid-mount implements		● chassis with integrated mounting frame for front- and mid-mount implements - ○ supports for mid-mount implements				
Front weight support		built-in				
Front weights	kg	○ 6 x 28 / 8 x 28 / 4 x 42 / 8 x 42 (F-GE-GB) - ○ 6 x 36 / 8 x 36 (XL)				
Rear weights	kg	○ 2 x 45 (1 x wheel) / 4 x 45 (2 x wheel)				

Key: ● standard ○ optional ~ not available




Power Technology.

via G. Matteotti, 7 | 42042 Fabbro [RE] Italia | t. +39.0522.656.111 | f. +39.0522.656.476
webmaster@argotracors.com | www.argotracors.com



graphic design: **gruppo saldatori** | bzzbz@grupposaldatori.com
All data and illustrations provided in this brochure are for information purposes only and can be changed without notice


6732663A2